

IRONING AND FOLDING

FLATWORK IRONERS ROLLER Ø 325 PS-20-140/160/200 M

CHARACTERISTICS

ELECTRONIC CONTROL M

- Simple and user friendly: selection of ironing speed and temperature by push buttons
- Digital speed and temperature display

EFFICIENCY

- Good heat conduction thanks to the roll material and thickness: greater control of energy expenditure
- Automatic shutdown at 80°C (adjustable parameter)
- Fumes circulation circuit from the bottom reducing energy consumption

ROBUSTNESS

- Roll driving by speed inverter
- Nomex quality ironing belts: high temperatures resistant
- Panels in skinplate and stainless steel
- Coiled felt and strips guide for longer lifespan

ERGONOMICS

- Acoustic comfort : <60 dB
- Appropriate operating height: 990mm feeding belts
- Minimal encumbrance: space saving, suitable for most areas
- Electronic control with Auto mode: easy to use, optimized ironing speed

MAINTENANCE

- Easy access to all components on both sides of the machine
- Basic connections: electrical connection and air extraction

OTHERS

- Dries and irons flat linen from a high spin washer extractor in a single operation
- Front feeding and return
- Built-in cool down system
- Polished steel roll ø 325 mm
- Working widths: 1400, 1600 and 2000 mm
- Electric heating
- CE Standard

OPTIONS

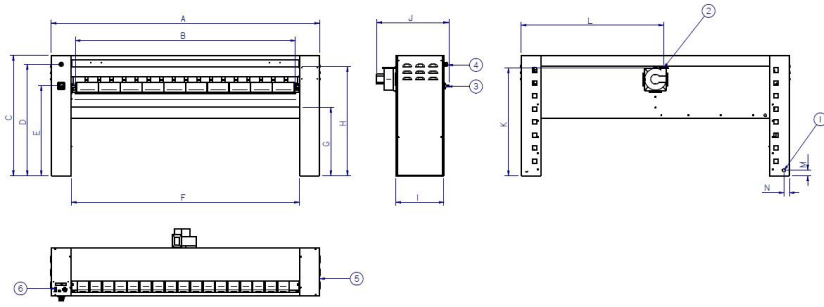
- Marine tension 440V III 60 Hz without N
- Tension 230V III 50-60 Hz



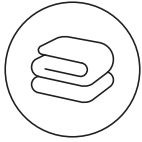
TECHNICAL DATA

FLATWORK IRONERS | ROLLER Ø200 | PS-20-140/160/200 M

	UNIT.	PS-20/140 M	PS-20/160 M	PS-20/200 M			
GENERAL DATA							
Theoretical production (electric)*	Kg/h	12	16	22			
	Lb/h	26	35	49			
Evaporation power	l/h	5,4	7,2	9,9			
	USgallon/h	1,4	1,9	2,6			
Ø Roll	mm	200	200	200			
	inch	7,87	7,87	7,87			
Working width	mm	1.400	1.600	2.000			
	inch	55,1	63	78,7			
Height floor-feeding belts	mm	990	990	990			
	inch	39	39	39			
Working speed	m/min	1,5 - 6	1,5 - 6	1,5 - 6			
	ft/min	4,9 - 19,6	4,9 - 19,6	4,9 - 19,6			
Electronic control		M	M	M			
Nº Programs	Nº	2	2	2			
Length folder	Nº	No	No	No			
Large surface contact with linen	º	270	270	270			
POWER							
Electric heating	kW	10,5	12	18			
Total electric power (Elec. model)	kW	10,84	12,34	18,37			
Gas heating	kW	-	-	-			
Total electric power (Gas model)	kW	-	-	-			
Steam heating	kW	-	-	-			
Total electric power (Steam model)	kW	-	-	-			
Roll motor	kW	0,28	0,28	0,28			
Fan motor	kW	0,09	0,09	0,09			
CONNECTIONS							
Tension 230V - III + T	nº x mm²/A	4x6 / 32A	-	4x10 / 40A	-	4x10 / 50A	-
	nº x AWG/A	4x9 / 32A	-	4 x 7 / 40A	-	4x7 / 50A	-
Tension 400V - III + N + T	nº x mm²/A	5x4 / 20A	-	5x4 / 20A	-	5 x 6 / 32A	-
	nº x AWG/A	5x11 / 20A	-	5x11 / 20A	-	5x9 / 32A	-
Ø Gas inlet	BSP	-	-	-	-	-	-
Ø Steam inlet	BSP	-	-	-	-	-	-
Ø Condensed (Steam models)	BSP	-	-	-	-	-	-
DIMENSIONS / DIMENSIONS D'EMBALLA							
Net width / Gross width	mm	1.878 / 2.130	2.128 / 2.340	2.478 / 2.780			
	inch	73,9 / 83,9	83,8 / 92,1	97,6 / 109,4			
Net depth / Gross depth**	mm	444** (666) / 770	444** (666) / 770	444** (666) / 770			
	inch	17,5 (26,2) / 30,3	17,5 (26,2) / 30,3	17,5 (26,2) / 30,3			
Net height / Gross height	mm	1.110 / 1.400	1.110 / 1.400	1.110 / 1.400			
	inch	43,7 / 55,1	43,7 / 55,1	43,7 / 55,1			
Net weight / Gross weight	Kg	180 / 220	203 / 240	237 / 275			
	Lb	397 / 485	448 / 529	522 / 606			
Volume	m³	0,93 / 2,30	1,05 / 2,52	1,22 / 3,00			
	f³	32,76 / 81,09	37,12 / 89,08	43,23 / 105,83			
AUTRES							
Nº fume outlet	Nº	1	1	1			
Ø Extraction	mm	83	83	83			
	inch	3,27	3,27	3,27			
Air flow	m³/h	300	300	300			
	cfm	177	177	177			
Noise level	dB	55	55	55			



	A	B	C	D	E	F	G	H	I	J	K	L	M	N
PS-20/140	1.878	1.470	1.110	1.028	830	1.510	631	1.006	444	666	995	1.016	50	50
PS-20/160	2.128	1.720	1.110	1.028	830	1.760	631	1.006	444	666	995	1.141	50	50
PS-20/200	2.478	2.070	1.110	1.028	830	2.110	631	1.006	444	666	995	1.316	50	50



IRONING AND FOLDING

FLATWORK IRONERS ROLLER Ø 325 PS-35-140/160/200 M

CHARACTERISTICS

ELECTRONIC CONTROL M

- Simple and user friendly: selection of ironing speed and temperature by push buttons
- Digital speed and temperature display

EFFICIENCY

- Good heat conduction thanks to the roll material and thickness: greater control of energy expenditure
- Automatic shutdown at 80°C (adjustable parameter)
- Fumes circulation circuit from the bottom reducing energy consumption

ROBUSTNESS

- Roll driving by speed inverter
- Nomex quality ironing belts: high temperatures resistant
- Panels in skinplate and stainless steel
- Coiled felt and strips guide for longer lifespan
- Nickel plating roll as option: anticorrosive, more durable

ERGONOMICS

- Acoustic comfort : <65 dB
- Appropriate operating height: 990mm feeding belts
- Minimal encumbrance: space saving, suitable for most areas
- Electronic control with Auto mode: easy to use, optimized ironing speed

MAINTENANCE

- Easy access to all components on both sides of the machine
- Basic connections: electrical connection and air extraction

OTHERS

- Dries and irons flat linen from a high spin washer extractor in a single operation
- Front feeding and return
- Built-in cool down system
- Polished steel roll Ø 325 mm
- Working widths: 1400, 1600 and 2000 mm
- Electric or atmospheric gas burners heating
- CE Standard

OPTIONS

- IMC: automatic regulation of ironing speed according to residual moisture
- Nickel plating roll
- Marine tension 440V III 60 Hz without N (electric models)
- Tension 230V III 50-60 Hz

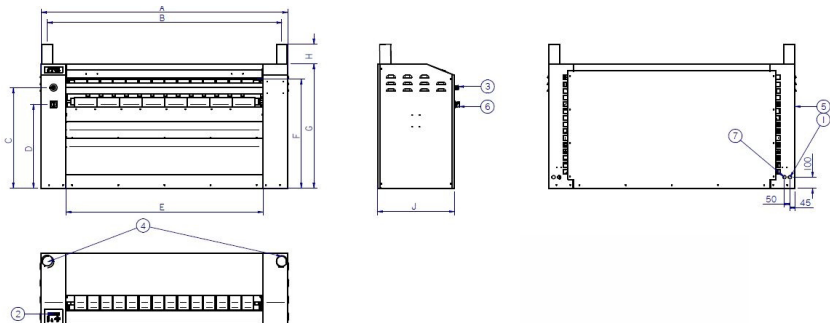


TECHNICAL DATA

FLATWORK IRONERS | ROLLER Ø 325 | PS-35-140/160/200 M

	UNIT.	PS-35/140 M	PS-35/160 M	PS-35/200 M			
GENERAL DATA							
Theoretical production (electric)*	Kg/h	18	30	40			
	Lb/h	40	66	88			
Theoretical production (gas atmo)*	Kg/h	22	32	42			
	Lb/h	49	71	93			
Evaporation power	l/h	8,1	13,5	18			
	USgallon/h	2,1	3,6	4,8			
Ø Roll	mm	325	325	325			
	inch	12,80	12,80	12,80			
Working width	mm	1.400	1.600	2.000			
	inch	55,1	63	78,7			
Height floor-feeding belts	mm	990	990	990			
	inch	39	39	39,0			
Working speed	m/min	1,5 - 10	1,5 - 10	1,5 - 10			
	ft/min	4,9 - 32	4,9 - 32	4,9 - 32			
Electronic control		M	M	M			
N° Programs	N°	2	2	2			
Length folder	N°	No	No	No			
Large surface contact with linen	°	270	270	270			
POWER							
Electric heating	kW	12	16,2	21			
Total electric power (Elec. model)	kW	12,37	16,57	21,49			
Gas heating	kW	14	22,5	30			
Total electric power (Gas model)	kW	0,37	0,37	0,49			
Steam heating	kW	-	-	-			
Total electric power (Steam model)	kW	-	-	-			
Roll motor	kW	0,28	0,28	0,28			
Fan motor	kW	0,12	0,12	0,12 x 2			
CONNECTIONS							
Tension 230V I + N + T	n° x mm²/A	-	3x2,5 / 6A	-	3x2,5 / 6A	-	3x2,5 / 6A
	n° x AWG/A	-	3x13 / 6A	-	3x13 / 6A	-	3 x 13 / 6A
Tension 230V - III + T	n° x mm²/A	4x10 / 40A	4x2,5 / 6A	4x10 / 50A	4x2,5 / 6A	4x10 / 63A	4x2,5 / 6A
	n° x AWG/A	4x7 / 40A	3x13 / 6A	4x7 / 50A	3x13 / 6A	4x7 / 63A	3x13 / 6A
Tension 400V - III + N + T	n° x mm²/A	5x6 / 20A	5x2,5 / 6A	5x6 / 25A	5x2,5 / 6A	5x6 / 40A	5x2,5 / 6A
	n° x AWG/A	5x9 / 20A	5x13 / 6A	5x9 / 25A	5x13 / 6A	5x9 / 40A	5x13 / 6A
Ø Gas inlet	BSP	1/2"		1/2"		1/2"	
Ø Steam inlet	BSP	-		-		-	
Ø Condensed (Steam model)	BSP	-		-		-	
DIMENSIONS / PACKING DIMENSIONS							
Net width / Gross width	mm	1.952 / 2.340		2.202 / 2.340		2.552 / 2.780	
	inch	76,9 / 92,1		86,7 / 92,1		100,5 / 109,4	
Net depth / Gross depth	mm	686 / 770		686 / 770		686 / 770	
	inch	27 / 30,3		27 / 30,3		27 / 30,3	
Net height / Gross height	mm	1.112 / 1.400		1.112 / 1.400		1.112 / 1.400	
	inch	43,8 / 55,1		43,8 / 55,1		43,8 / 55,1	
Net weight / Gross weight	Kg	330 / 365		385 / 405		435 / 458	
	lb	728 / 805		849 / 893		959 / 1010	
Volume	m³	1,49 / 2,52		1,68 / 2,52		1,95 / 3	
	f³	52,59 / 89,08		59,32 / 89,08		68,75 / 105,83	
OTHERS							
N° fume outlet	N°	1		1		2	
Ø Fume outlet	mm	98		98		98	
	inch	3,86		3,86		3,86	
Air flow	m³/h	500		500		1.000	
	cfm	294		294		589	
Noise level	dB	60		60		63	

*45 % moisture



- 01. Electrical connection
- 02. M Control
- 03. Emergency stop
- 04. Fume extraction
- 05. Crank
- 06. Main switch

	A	B	C	D	E	F	G	H	I	J
PS-35/140 M	1.952	1.846	900	750	1.510	980	1.112	140	746	686
PS-35/160 M	2.202	2.096	900	750	1.760	980	1.112	140	746	686
PS-35/200 M	2.552	2.446	900	750	2.110	980	1.112	140	746	686



IRONING AND FOLDING

FLATWORK IRONERS ROLLER Ø 325 PS-35-200/260/330 M PLUS

CHARACTERISTICS

ELECTRONIC CONTROL M

- Simple and user friendly with an auto mode: automatic management of the ironing speed according to the selected temperature.
- Digital speed and temperature display

EFFICIENCY

- Good heat conduction thanks to the roll material and thickness: greater control of energy expenditure
- Automatic shutdown at 80°C (adjustable parameter)
- Fumes circulation circuit from the bottom reducing energy consumption
- Gas radiant burners: +33% productive

ROBUSTNESS

- Roll driving by speed inverter
- Nomex quality ironing belts: high temperatures resistant
- Panels in skinplate and stainless steel
- Coiled felt and strips guide for longer lifespan
- Nickel plating roll as option: anticorrosive, more durable

ERGONOMICS

- Acoustic comfort : <65 dB
- Appropriate operating height: 990mm feeding belts
- Minimal encumbrance: space saving, suitable for most areas
- Electronic control with Auto mode: easy to use, optimized ironing speed

MAINTENANCE

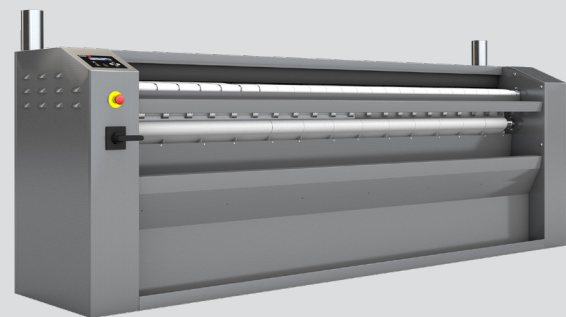
- Easy access to all components on both sides of the machine
- Basic connections: electrical connection and air extraction

OTHERS

- Dries and irons flat linen from a high spin washer extractor in a single operation
- Front feeding and return
- Built-in cool down system
- Polished steel roll Ø 325 mm
- Working widths: 2000, 2600 and 3300 mm
- Electric or radiant gas heating
- CE standard

OPTIONS

- IMC: automatic regulation of ironing speed according to residual moisture
- Nickel plating roll
- Marine tension 440V III 60 Hz without N (electric models)
- Tension 230V III 50-60 Hz

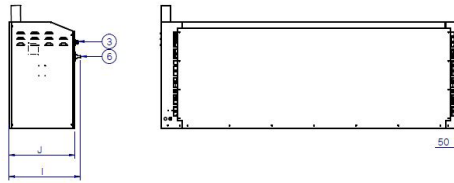
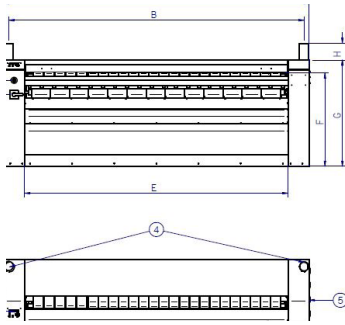


TECHNICAL DATA

FLATWORK IRONERS | ROLLER Ø 325 | PS-35-200/260/330 M PLUS

	UNIT.	PS-35/200 M PLUS	PS-35/260 M PLUS	PS-35/330 M PLUS			
GENERAL DATA							
Theoretical production (electric)*	Kg/h	50	60	85			
	Lb/h	110	132	187			
Theoretical production (radiant gas)*	Kg/h	65	75	100			
	Lb/h	143	165	220			
Evaporation power	l/h	29	34	45			
	USgallon/h	7,7	8,9	11,9			
Ø Roll	mm	325	325	325			
	inch	12,80	12,80	12,80			
Working width	mm	2.000	2.600	3.300			
	inch	78,7	102,4	129,9			
Height floor-feeding belts	mm	990	990	990			
	inch	39	39	39			
Working speed	m/min	1,5 - 12	1,5 - 12	1,5 - 12			
	ft/min	4,9 - 39	4,9 - 39	4,9 - 39			
Electronic control		M	M	M			
N° Programs	N°	2	2	2			
Length folder	N°	No	No	No			
Large surface contact with linen	°	270	270	270			
POWER							
Electric heating	kW	31,5	40,5	54			
Total electric power (Elec. model)	kW	32,27	42,27	54,77			
Gas heating	kW	40	55	69			
Total electric power (Gas model)	kW	0,77	0,77	0,77			
Steam heating	kW	-	-	-			
Total electric power (Steam model)	kW	-	-	-			
Roll motor	kW	0,41	0,41	0,41			
Fan motor	kW	0,18 x 2	0,18 x 2	0,18 x 2			
CONNECTIONS							
Tension 230V I + N + T	n° x mm²/A	-	3x2,5 / 6A	-	3x2,5 / 6A	-	3x2,5 / 6A
	n° x AWG/A	-	3x13 / 6A	-	3x13 / 6A	-	3x13 / 6A
Tension 230V - III + T	n° x mm²/A	4x25 / 100A	4x2,5 / 6A	4x25 / 125A	4x2,5 / 6A	4x35 / 150A	4x2,5 / 6A
	n° x AWG/A	4x3 / 100A	3x13 / 6A	4x3 / 100A	3x13 / 6A	4x2 / 100A	3x13 / 6A
Tension 400V - III + N + T	n° x mm²/A	5x10 / 50A	5x2,5 / 6A	5x16 / 63A	5x2,5 / 6A	5x25 / 100A	5x2,5 / 6A
	n° x AWG/A	5x7 / 50A	5x13 / 6A	5x5 / 63A	5x13 / 6A	5x3 / 100A	5x13 / 6A
Ø Gas inlet	BSP	1/2"		1/2"		1/2"	
Ø Steam inlet	BSP	-		-		-	
Ø Condensed (Steam model)	BSP	-		-		-	
DIMENSIONS / PACKING DIMENSIONS							
Net width / Gross width	mm	2.552 / 2.780		3.202 / 3.430		3.852 / 3.980	
	inch	100,5 / 109,4		126,1 / 135,0		151,7 / 156,7	
Net depth / Gross depth	mm	686 / 770		686 / 770		686 / 770	
	inch	27 / 30,3		27 / 30,3		27 / 30,3	
Net height / Gross height	mm	1.112 / 1.400		1.112 / 1.400		1.112 / 1.400	
	inch	43,8 / 55,1		43,8 / 55,1		43,8 / 55,1	
Net weight / Gross weight	Kg	445 / 458		545 / 585		655 / 700	
	lb	981 / 1.010		1.202 / 1.290		1.444 / 1.543	
Volume	m³	1,95 / 3		2,44 / 3,70		2,94 / 4,29	
	f³	68,75 / 105,83		86,26 / 130,58		103,77 / 151,52	
OTHERS							
N° fume outlet	N°	2		2		2	
Ø Fume outlet	mm	98		98		98	
	inch	3,86		3,86		3,86	
Air flow	m³/h	1.000		1.000		1.000	
	cfm	589		589		589	
Noise level	dB	63		63		63	

*45 % moisture



- 01. Electrical connection
- 02. M Control
- 03. Emergency stop
- 04. Fume extraction
- 05. Crank
- 06. Main switch

	A	B	C	D	E	F	G	H	I	J
PS-35/200	2.552	2.446	900	750	2.110	980	1.112	140	746	686
PS-35/260	3.202	3.096	900	750	2.760	980	1.112	140	746	686
PS-35/330	3.852	3.746	900	750	3.410	980	1.112	140	746	686